

# Bull gear bearing mounting for a 100-ton CLU converter for stainless steels

# FAG

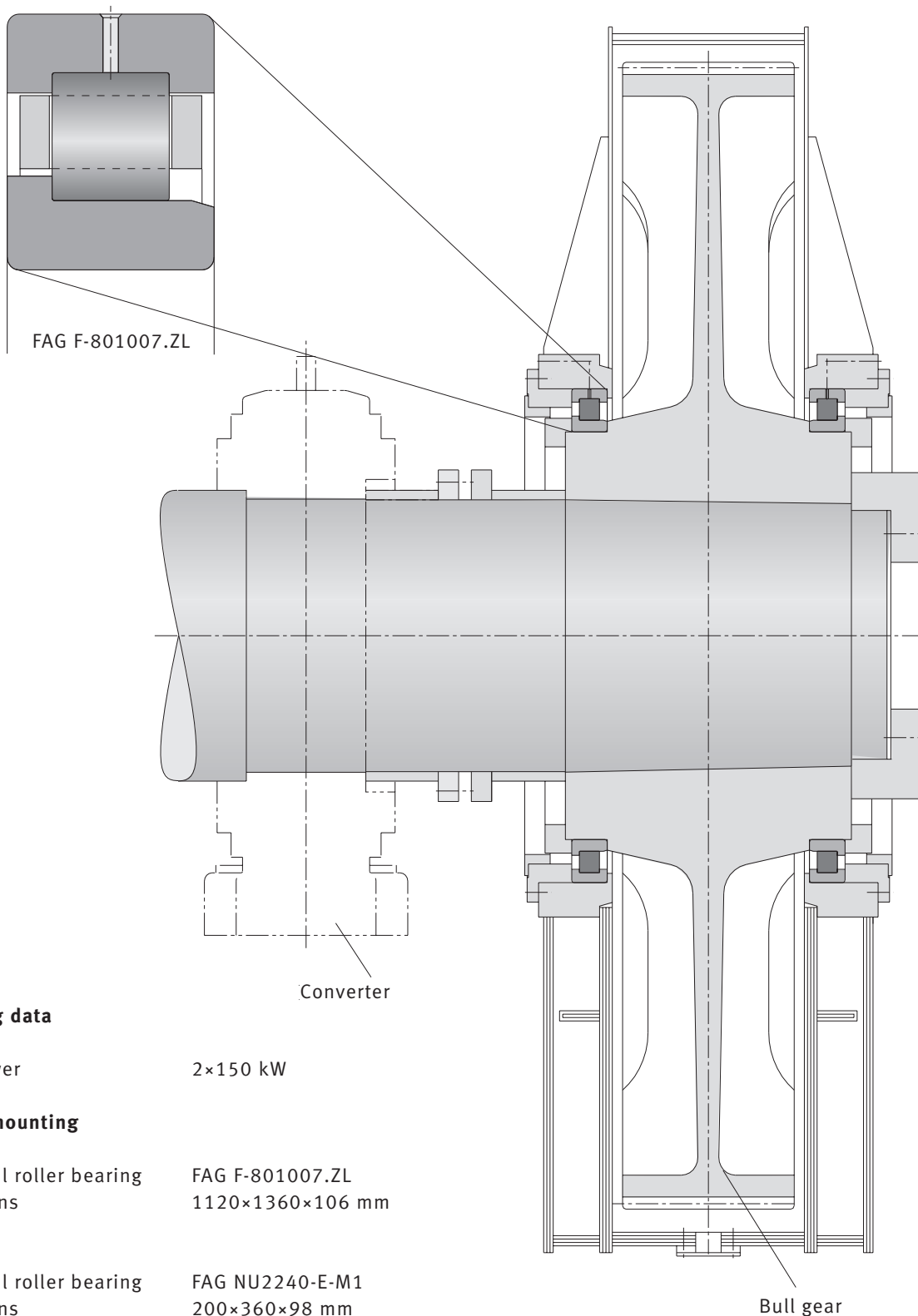
Examples of Application Engineering

Publ. WL 17 522 EA



Manufacturer: Voest-Alpine Industrieanlagenbau, Austria · Operator: Columbus Middelburg, South Africa

**SCHAEFFLER GROUP**  
INDUSTRIAL



**Operating data**

Drive power 2×150 kW

**Bearing mounting**

**Bull gear**  
 Cylindrical roller bearing FAG F-801007.ZL  
 Dimensions 1120×1360×106 mm

**Pinion**

Cylindrical roller bearing FAG NU2240-E-M1  
 Dimensions 200×360×98 mm

**Fits**

Shaft n6  
 (taking into account the expansion of the hub by the conical trunnion.)

**Housing** H7

**Lubrication**

The drive gear is lubricated with a doped oil CLP460 (nominal viscosity 460 mm<sup>2</sup>/s).

**Schaeffler KG**

Heavy Industries - Steel  
 Postfach 1260  
 97419 Schweinfurt (Germany)  
 Phone +49 9721 91-3167  
 Fax +49 9721 91-3100  
 E-mail steel@schaeffler.com  
 Internet www.fag.com